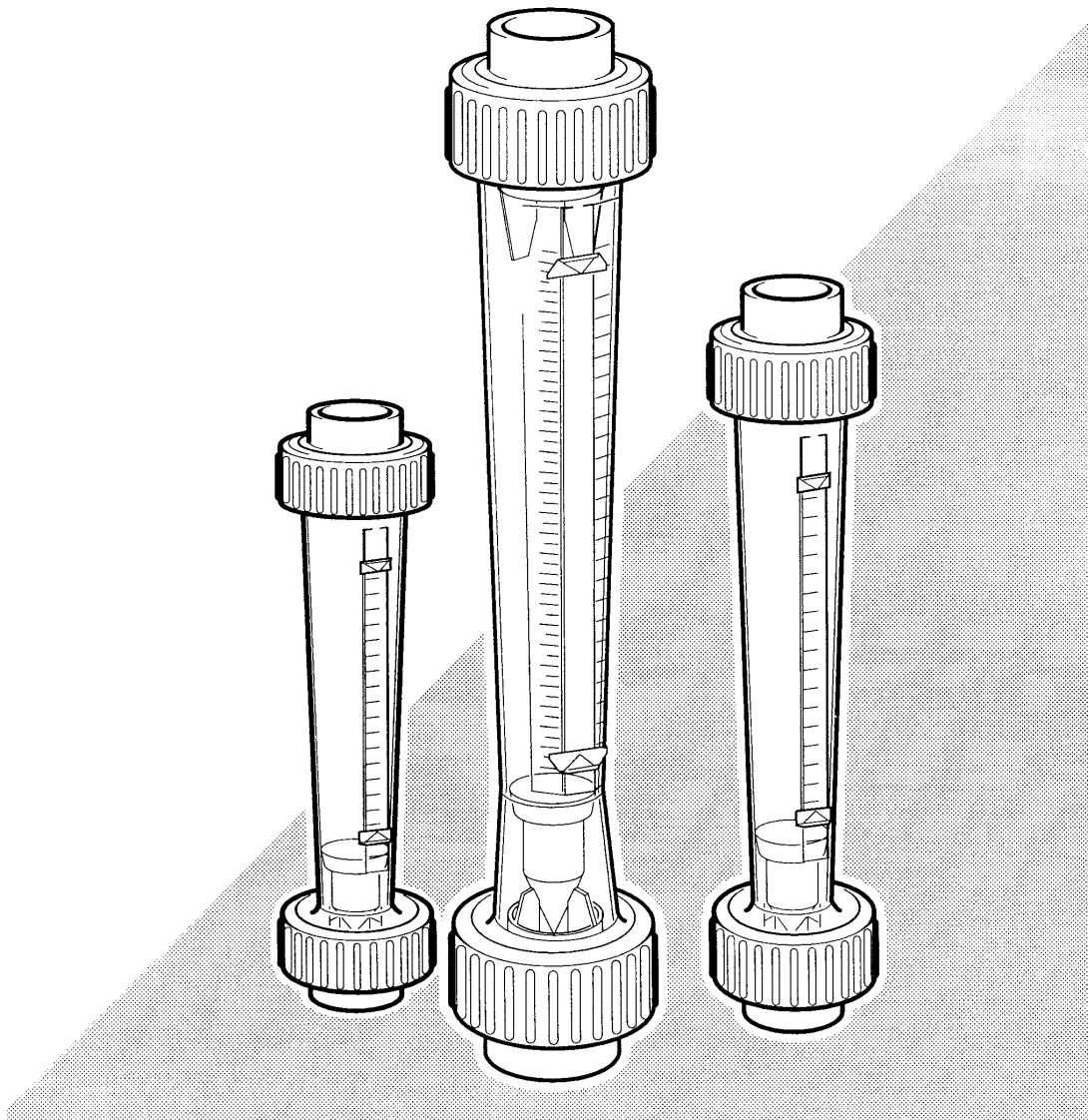

**Variable Area Flowmeter
with plastic Tube**

VKN

Mounting- and Operating Instructions



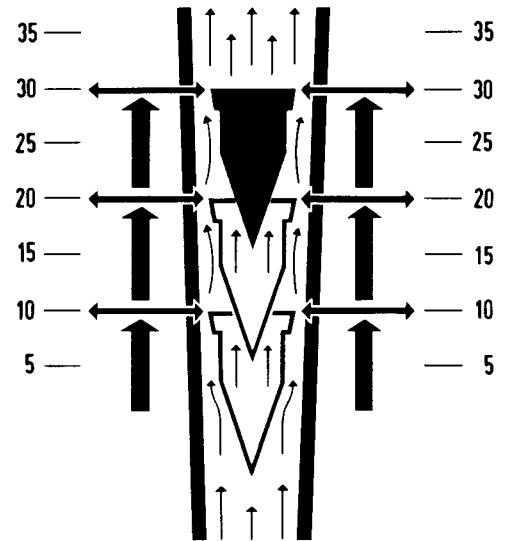
Measuring Principle

The medium enters the vertical constructed flowmeter at the bottom inlet. If there is a sufficient flow speed, the float is lifted in the meter tube, until there is an equilibrium between lift and float weight.

As the middle flow speed is a measure for the volume/unit of time, this equilibrium position is equal to the flow rate.

The moving of the float is stopped by a float stop in the meter tube.

The amount of the flow rate is to be seen on the scale of the meter tube (local indication)



Application Scope

Flow measurements for nearly all kind of gas and fluid with an indication in a volume/unit of time = VOLUME-FLOW or in a weight/unit of time = WEIGHT-FLOW

Technical Data (standard)

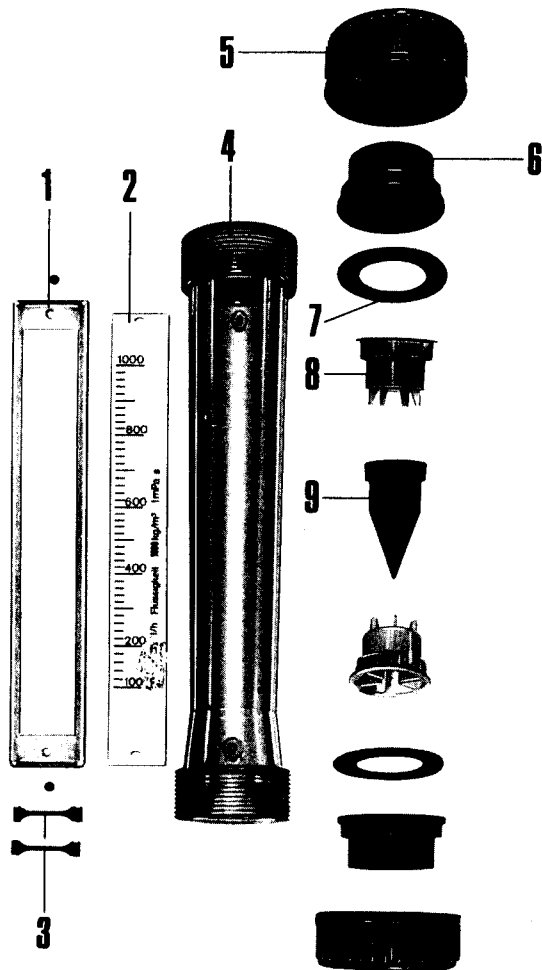
pipe connection	: R 1/2" , R 3/4" , R 1" , R 2" inner thread
accuracy	: \pm 1,25 % from scale end value
measuring span	: 10 : 1
measuring range	: min. 10 - 100 l/h , max. 100 - 1000 l/h in accordance to the nominal width
temperature	: max. 80°C
pressure	: max. 60 bar (+20°C)
flow direction	: vertical , bottom inlet
scale length	: ca. 180 mm
scale	: l/h fluid (1kg/l , 1 mPa·s , 20°C) Nm ³ /h air (760 Torr , 20°C)
material	: media touched parts; trans. Polyamid (Grelamit TR 55)

Accessoires

electric contact switch type " KEM " , made by Honeywell
(microswitch)

inductive contact type " KEI " , made by Pepperl & Fuchs
initiator SJ 3.5
relay necessary

REED - contact type " KER "



<u>Item</u>	<u>Description</u>
1.	Scale holder
2.	Measuring scale
3.	Rated value indicator
4.	Meter tube; trans. Polyamid*
5.	Coupling nut
6.	Insert
7.	Sealing; Perbunan, Viton
8.	Float stop
9.	Float

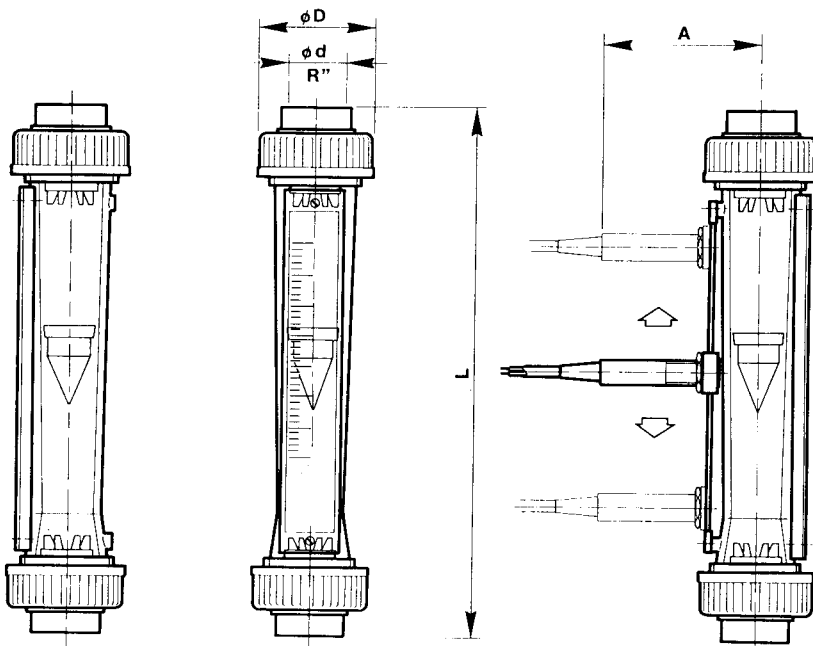
* Grelamit TR 55

Advantages

- * pressure-proof design
- * high chemical resistance
- * simple construction
- * simple handling
- * simple installation
- * economical
- * short delivery time
- * inner thread connection
- * detachable scale-holder
- * changeable scales for liquids and gases available
- * adjustable REED-contacts upon request
- * changeable floats possible
- * detachable contact-holder

Due to continuous development we reserve the right to amend specifications without notification.

type	float							
	stainless steel 7,95 kg/dm ³		aluminium 2,85 kg/dm ³		PVDF with lead core 6,5 kg/dm ³		PVDF with magnet 5,0 kg/dm ³	
	water l/h	air m ³ /h	water l/h	air m ³ /h	water l/h	air m ³ /h	water l/h	air m ³ /h
VK 2/ 100	10-100	0,3-3	5-50	0,17-1,7	8,8-88	0,25-2,5	7,5-75	0,22-2,2
VK 2/ 160	16-160	0,45-4,5	8-80	0,25-2,5	14-140	0,4-4	12-120	0,36-3,6
VK 2/ 250	25-250	0,7-7	12,5-125	0,4-4	22-220	0,65-6,5	19-190	0,55-5,5
VK 3/ 400	40-400	1,1-11	20-200	0,7-7	35-350	1-10	30-300	0,9-9
VK 3/ 630	60-630	1,8-18	30-300	1,0-10	55-550	1,6-16	47-470	1,4-14
VK 3/ 1000	100-1000	3,0-30	50-500	1,7-17	88-880	2,5-25	75-750	2,2-22
VK 4/ 1000	100-1000	3,0-30	50-500	1,8-17	88-880	2,5-25	75-750	2,2-22
VK 4/ 1600	160-1600	4,5-45	80-800	2,5-25	140-1400	4,0-40	120-1200	3,6-36
VK 4/ 2500	250-2500	7,0-70	125-1250	4,0-40	220-2200	6,5-65	190-1900	5,5-55
VK 6/ 4000	400-4000	11,0-110	200-2000	7-70	350-3500	10-100	300-3000	9-90
VK 6/ 6300	630-6300	18,0-180	300-3000	10-100	550-5500	16-160	470-4700	14-140
VK 6/10000	1000-10000	-	500-5000	17-170	880-8800	25-250	750-7500	22-220



internal screw thread				
Anschl. R''	Ø D	L	A	Gew. kg
1/2''	43	350	97	0,22
3/4''	53	350	102	0,37
1''	74	360	112	0,72
2''	103	380	127	2,10

adhesive connection					
DN	Ø d	Ø D	L	A	Gew. kg
15	20	43	345	97	0,22
20	25	53	355	102	0,37
32	40	74	365	112	0,72
50	63	103	390	127	2,10